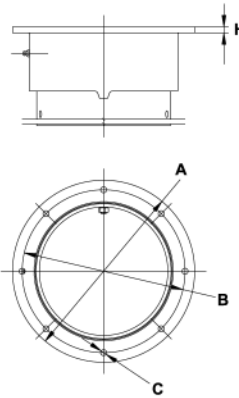
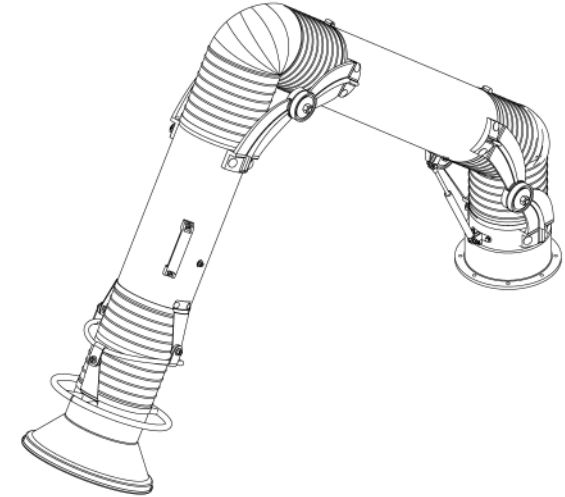


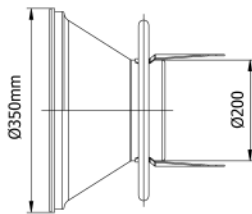
Fume Arm Mounting Flange



H = 9mm
 A = Ø275mm
 B = Ø246mm
 C = 8 holes Ø9mm



Standard hood



- Accessories and options:**
- P07-01-0005 - Mounting bracket WS-200
 - P02-80-0001 - MOD A light kit & photo sensor
 - P02-80-0002 - MOD L light kit with Switch

- Standard construction:**
- galvanized tubes powder coated color blue RAL5010
 - aluminum hood powder coated yellow RAL1028
 - external aluminum arm joint parts painted black
 - flexible PVC black hose rated (temperature resistance up to 80°C)
 - standard built-in manual damper
 - all external adjustments and supports
 - grab handle all around the hood

