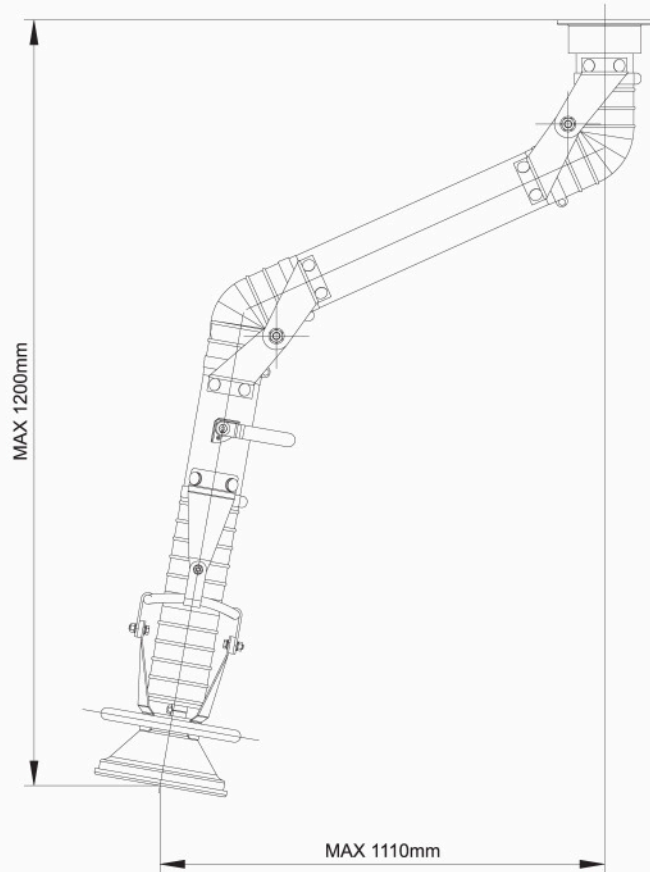
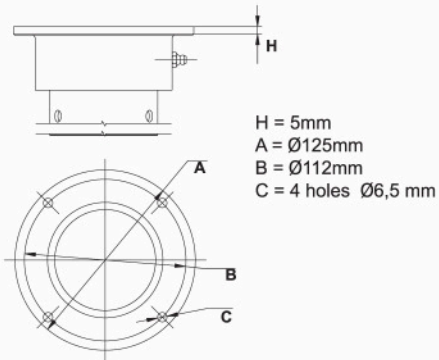


Product: fume extraction arm Ø75 - hanging model

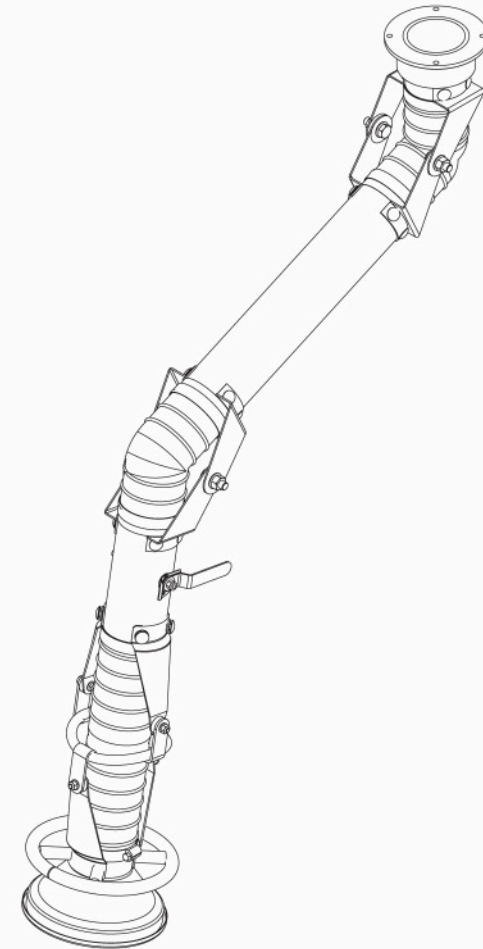
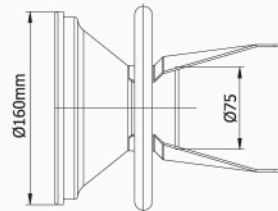
Index: W02-01-0710



### Fume Arm Mounting Flange



### Standard hood



#### Accessories and options:

- P07-01-0001 - Mounting bracket Ø75
- P02-80-0001 - MOD A light kit & photo sensor
- P02-80-0002 - MOD L light kit with Switch



#### Standard construction:

- galvanized tubes powder coated color blue RAL5010
- aluminum hood powder coated yellow RAL1028
- external aluminum arm joint parts painted black
- flexible PVC black hose rated (temperature resistance up to 80°C)
- standard built-in manual damper
- all external adjustments and supports
- grab handle all around the hood

