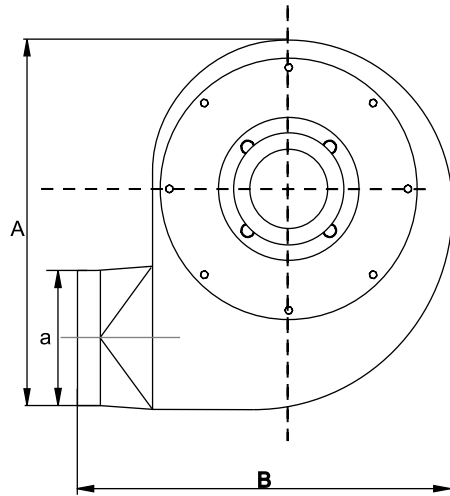
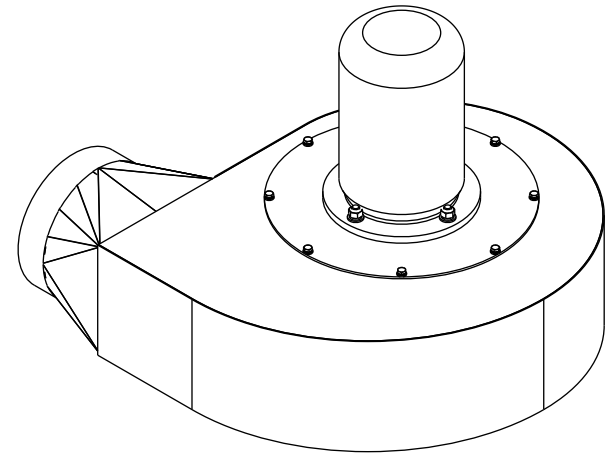
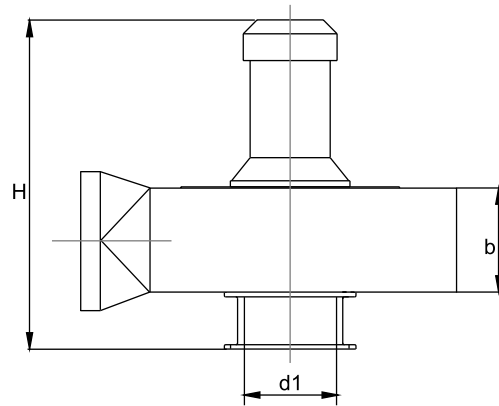


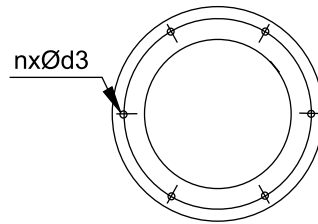
Product:	Fan unit - ZWR-04 1,1kW	
Index:	W0350ZWR04	302-20-0001



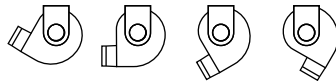
- A - 577
- B - 628,8
- H - 432
- a - 198
- b - 171
- d1 - 160
- d3 - 6x0,35



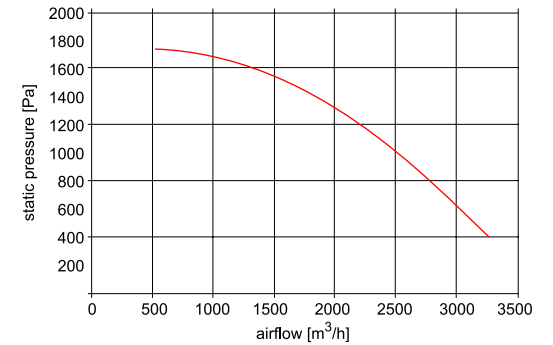
- Motor:**
- Power supply [V] / [Hz] - 3x400/50
 - Power [kW] - 1,1
 - Rotation [rpm] - 2760
 - Insulation class - F
 - Protection - IP55



with WS160 wall mounting brackets



with WS160D wall mounting brackets



- Accessories and options:**
- P07-01-0013 - Mounting bracket Ø160 - longer version
 - 100 043 - Motor on/off switch with thermal overload protection 2,5-4A
 - 230 016 - Set of transport wheels ZWR

- ZWR fan units :**
- backward inclined blade aluminum fan wheels
 - smooth fan and impeller inlets
 - powder coated welded steel housing
 - direct gas mixture temperatures up to 40°C

