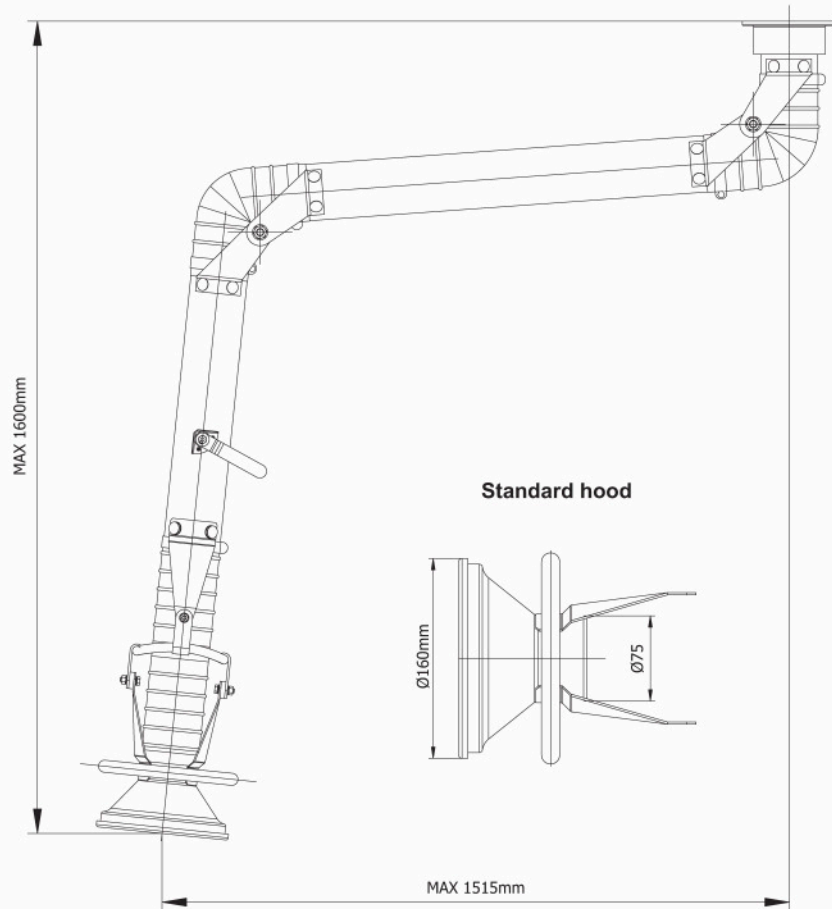
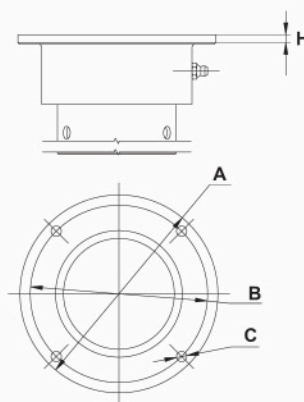


Product: fume extraction arm Ø75 - hanging model

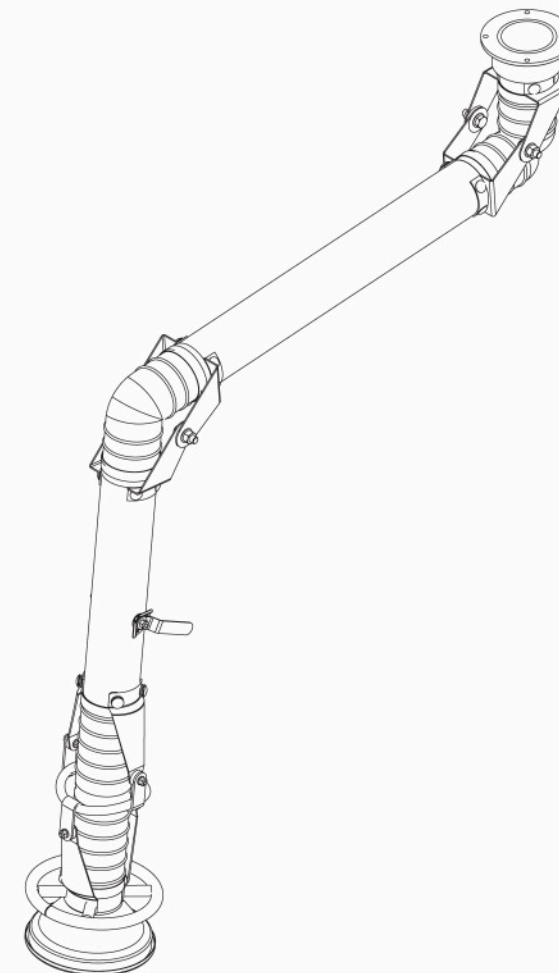
Index: W02-01-0715



#### Fume Arm Mounting Flange



H = 5mm  
A = Ø125mm  
B = Ø112mm  
C = 4 holes Ø6,5 mm



#### Accessories and options:

- P07-01-0001 - Mounting bracket Ø75
- P02-80-0001 - MOD A light kit & photo sensor
- P02-80-0002 - MOD L light kit with Switch



#### Standard construction:

- galvanized tubes powder coated color blue RAL5010
- aluminum hood powder coated yellow RAL1028
- external aluminum arm joint parts painted black
- flexible PVC black hose rated (temperature resistance up to 80°C)
- standard built-in manual damper
- all external adjustments and supports
- grab handle all around the hood

