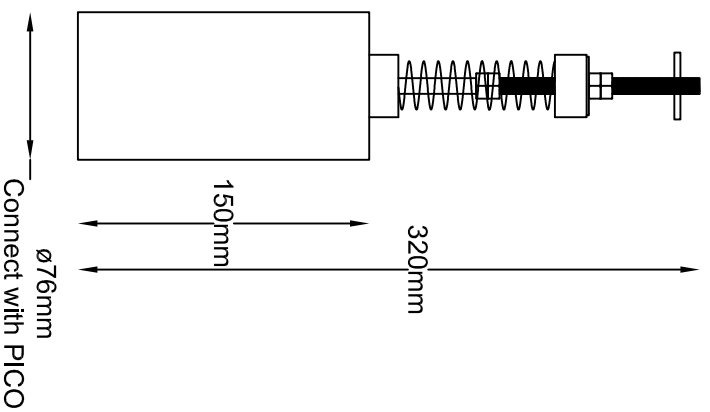
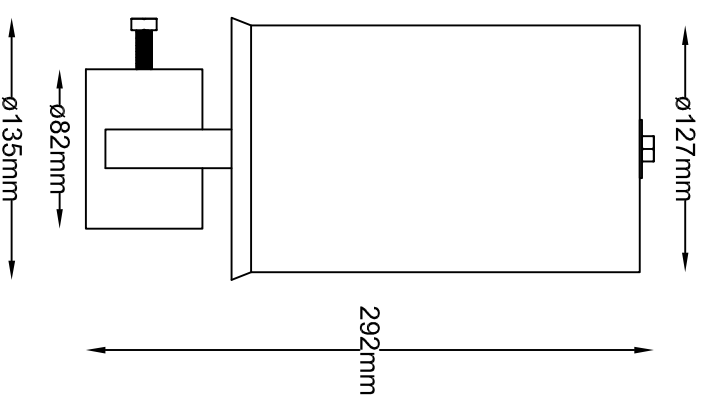


SV-076 + LD-076
Weight: 3,6kg



SV-076
Weight: 1,2kg



LD-076
Weight: 2,4kg

		Projekt	
		Welafix Industrietechnik GmbH	
		SV076 und LD076	
		Safety Valve for HV-systems	
		Maximum inlet area 18cm ²	
		2017-09-15	
FCU			