

Umschaltweiche – RGST / PGST

RGST manuell / PGST pneumatisch, als Abzweigstück 45°
2-3mm geschweißt, pneumatisch inkl. Steuerventil 24 oder 230V



Manual



Pneumatic

These diverters are made up to be used for falling and light material (for example wood chips, polystyrene, non-fibrous material, etc.) for transportation to silos, containers and also these equipment's can be irreplaceable devices for other air cleaning methods in vertical ducting.

One of the features of these diverters is an opportunity to use both sides (right and left), depending on customer assembly wishes. There can be used both manual and pneumatic actuator (cylinder) on the same diverter.

When diverter using as manual devices for knob on handle can be fixed to hold blade in required position.

The inner plate axle is mounted on two ball bearings for smooth running.

Construction:

- 2.00 mm and 3.00mm, black steel;
- both sides: left or right (customer choice);
- hand lever or pneumatic linear cylinder;
- powder coated in RAL 5010 40 to 60 µm;
- as an option AISI304, electrogalvanized.

Type:

- Welded and folded plates with 6 mm edges for lock rings.
- possible flange connection welded or loose, JKF or T2;
- Extra side reinforcements from Ø400 mm and up.

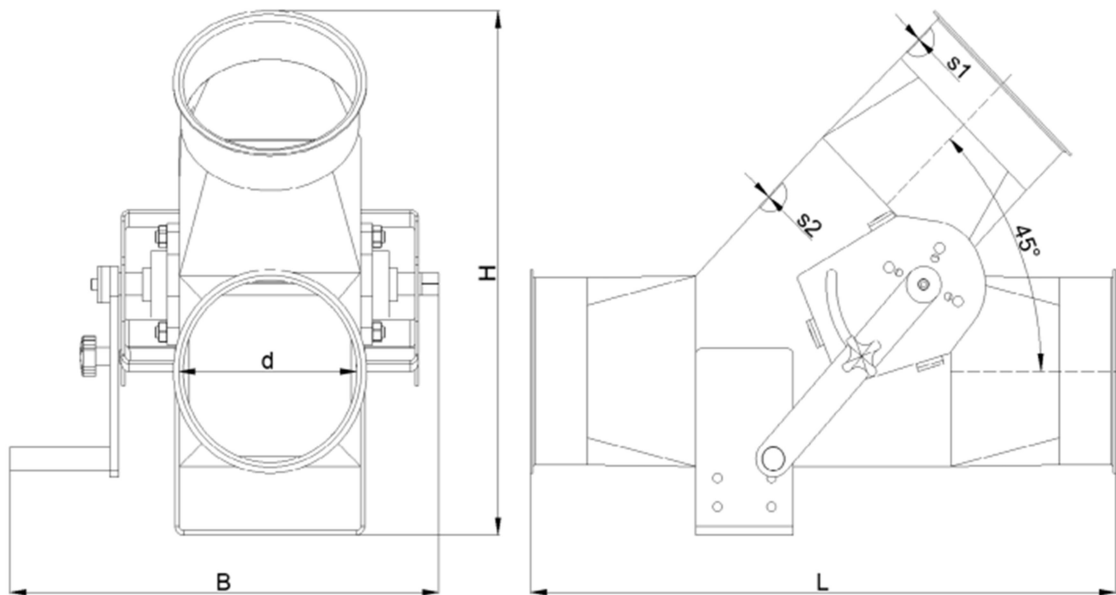
Temperature resistance up to +80°C.

Options:

- hot-dipped galvanized or stainless steel execution;
- other colors;
- other sheet thicknesses, depending on material and diameter;
- the coils can be 24VDC, 24VAC, 220VAC;
- other types of edges or connections.

Umschaltweiche – RGST / PGST

RGST manuell / PGST pneumatisch, als Abzweigstück 45°
 2-3mm geschweißt, pneumatisch inkl. Steuerventil 24 oder 230V

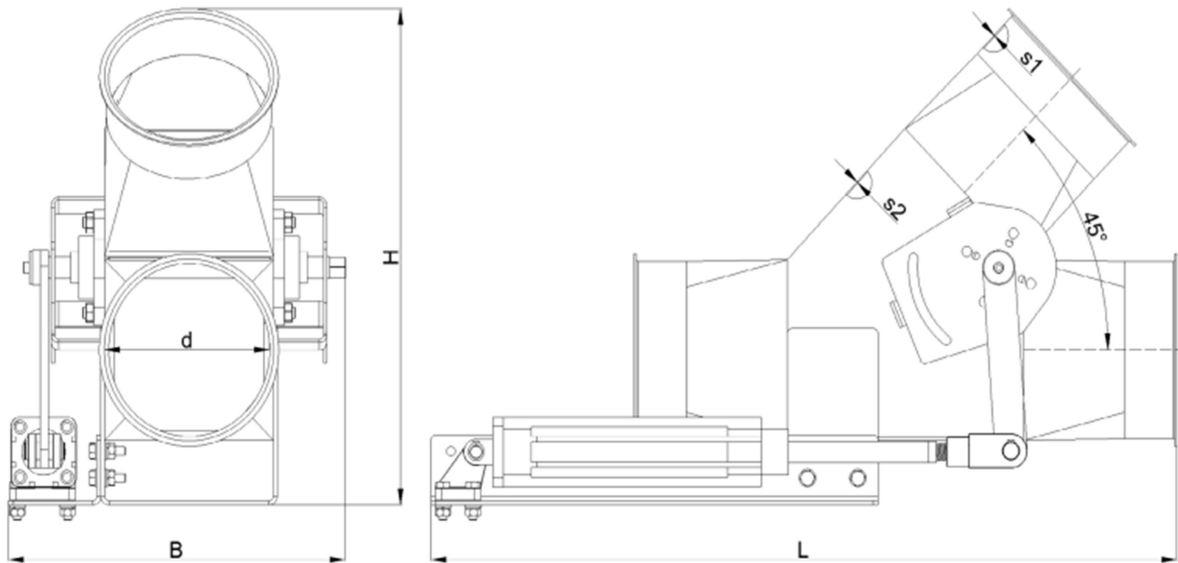


Diameter	Thickness	Thickness	Dimension	Height	Length	Weight
Ød, mm	s1, mm	s2, mm	B, mm	H, mm	L, mm	(kg)
100	2	3	369	418	485	12
120	2	3	369	418	485	12
125	2	3	369	418	485	12
140	2	3	406	459	535	16
150	2	3	406	459	535	16
160	2	3	406	459	535	16
180	2	3	444	563	670	22
200	2	3	444	563	670	22
225	2	3	494	648	755	28
250	2	3	494	648	755	29
280	2	3	546	727	835	36
300	2	3	546	727	835	37
315	2	3	596	848	1000	47
350	2	3	596	848	1000	48
400	2	3	643	975	1180	68
450	2	3	694	1061	1235	78

Daten RGST – Umschaltweiche manuell

Umschaltweiche – RGST / PGST

RGST manuell / PGST pneumatisch, als Abzweigstück 45°
 2-3mm geschweißt, pneumatisch inkl. Steuerventil 24 oder 230V



Diameter	Thickness	Thickness	Dimension	Height	Length	Weight
Ød, mm	s1, mm	s2, mm	B, mm	H, mm	L, mm	(kg)
100	2	3	301	418	737	14
120	2	3	301	418	737	14
125	2	3	301	418	737	14
140	2	3	335	459	741	18
150	2	3	335	459	741	18
160	2	3	335	459	741	18
180	2	3	384	563	876	24
200	2	3	384	563	876	24
225	2	3	425	648	893	30
250	2	3	425	648	893	31
280	2	3	475	727	900	38
300	2	3	475	727	900	39
315	2	3	526	848	1071	49
350	2	3	526	848	1071	50
400	2	3	579	975	1120	70
450	2	3	629	1061	1106	81

Daten PGST – Umschaltweiche pneumatisch